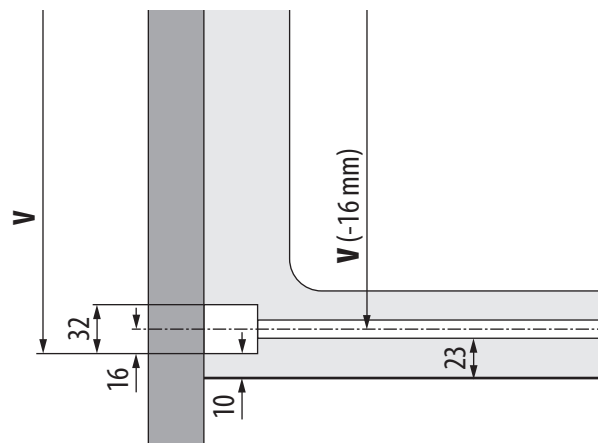
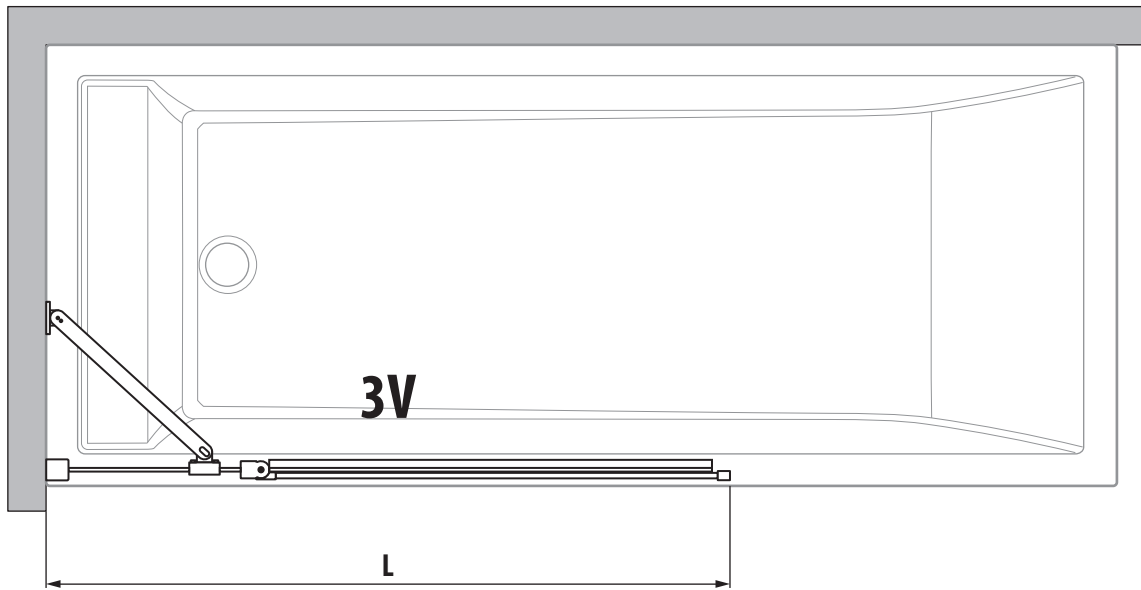
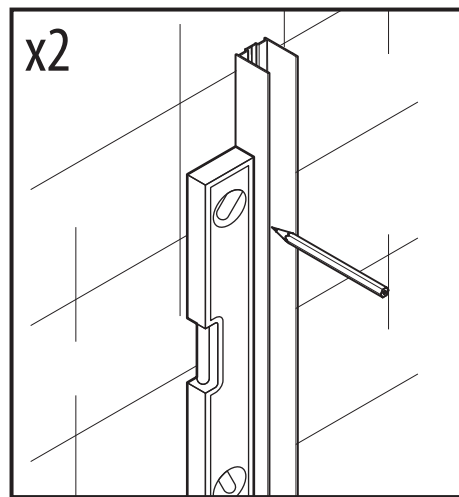
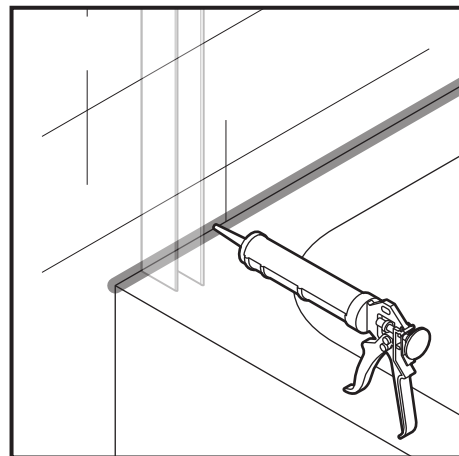
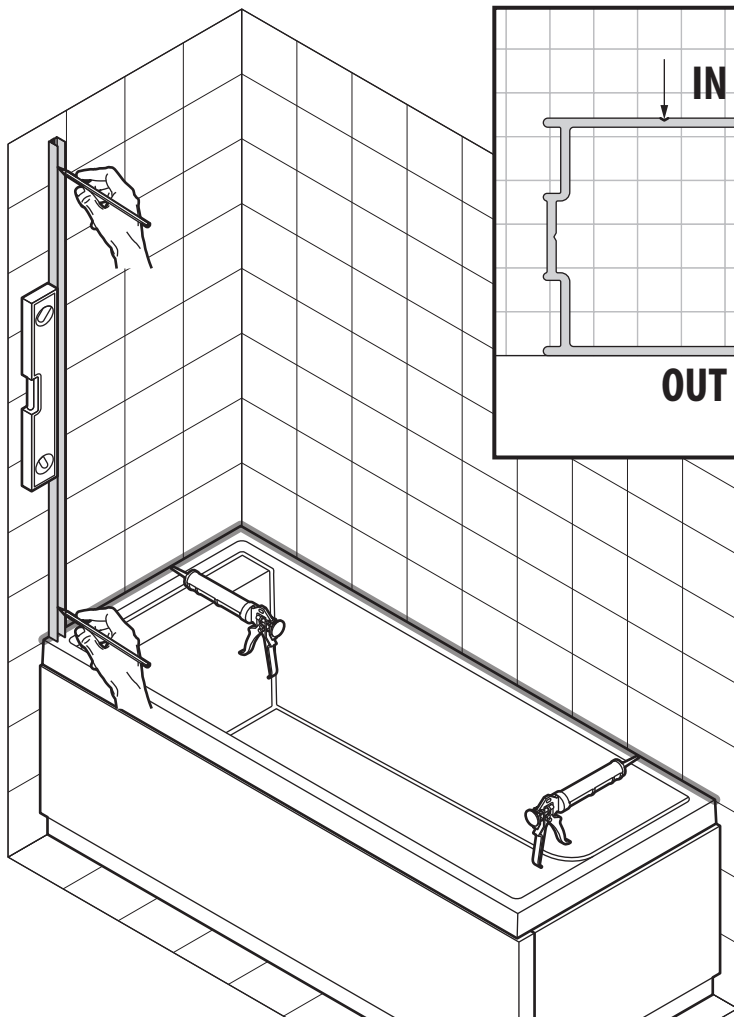


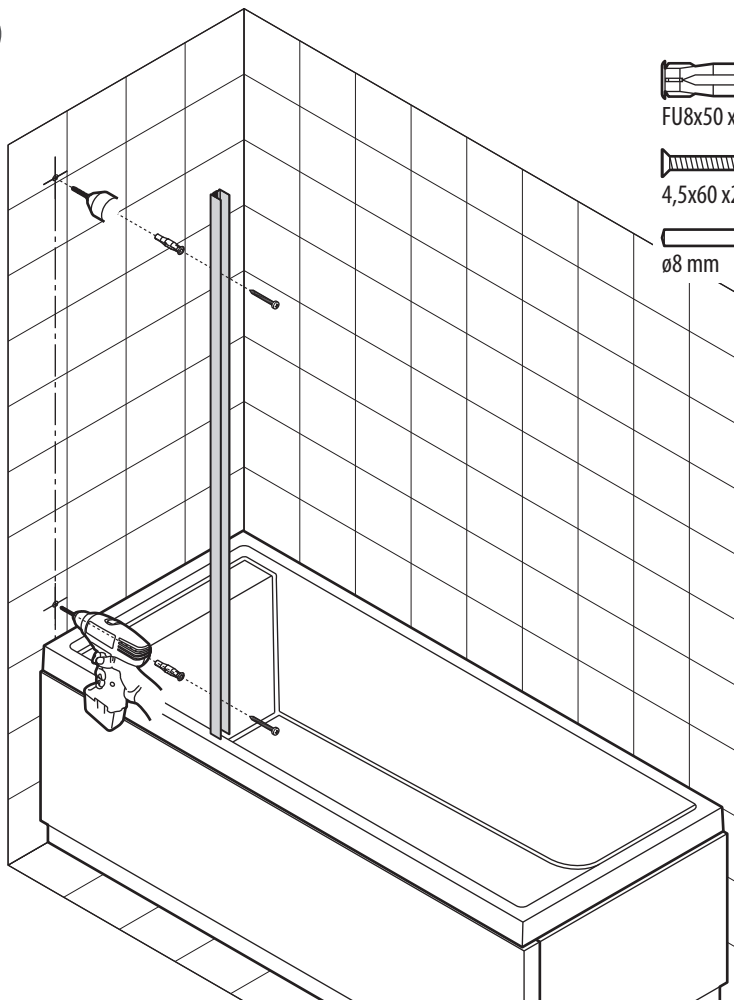
3V	L mm
100	980-1000






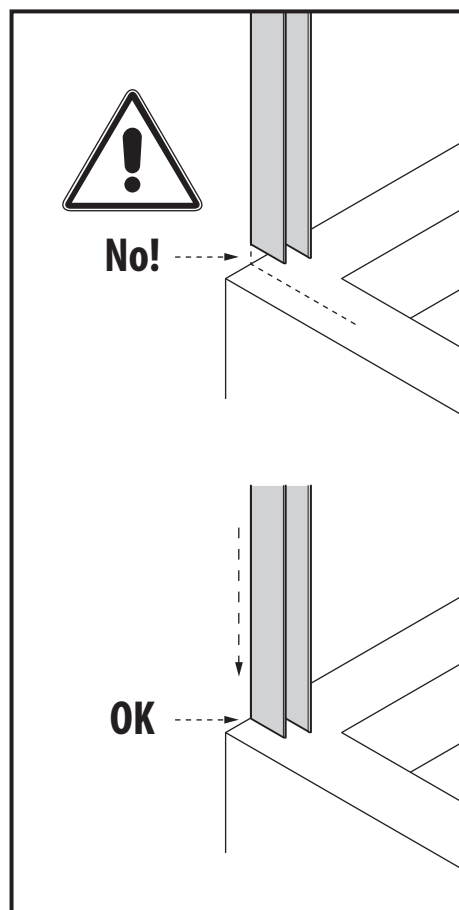
1



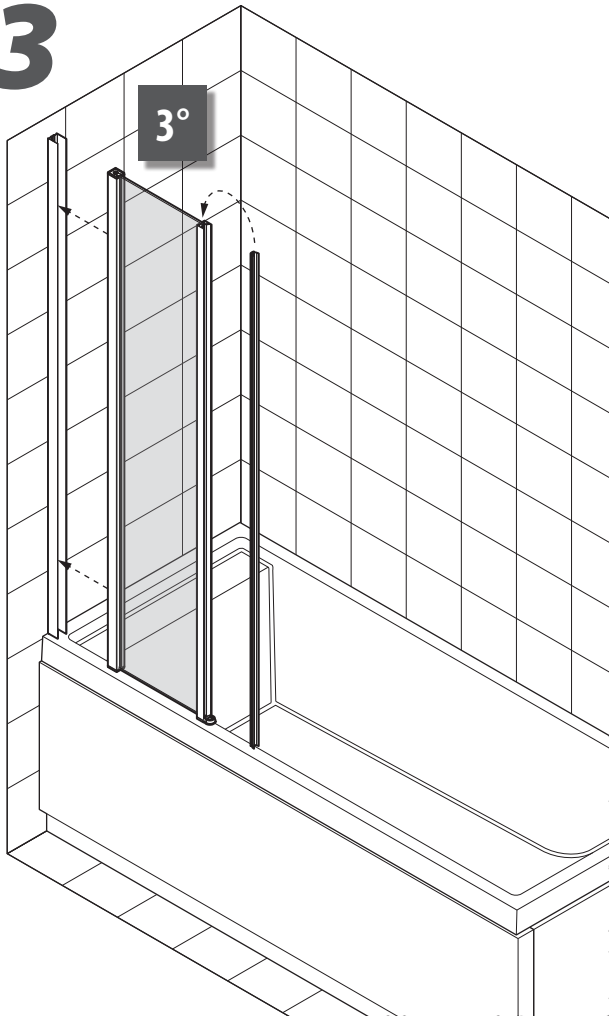
2



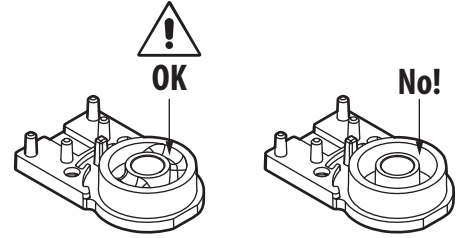
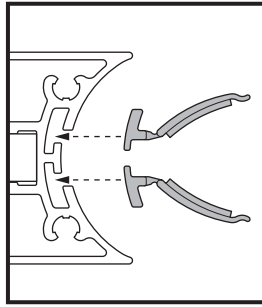
-  FU8x50 x2
-  4,5x60 x2
-  ø8 mm



3

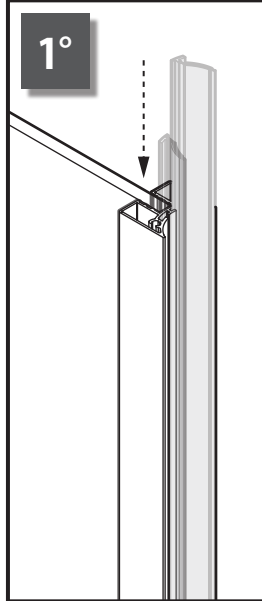


3°

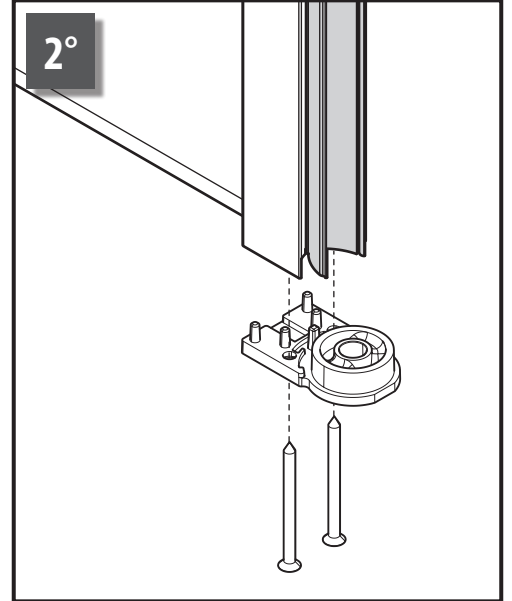


OK


No!



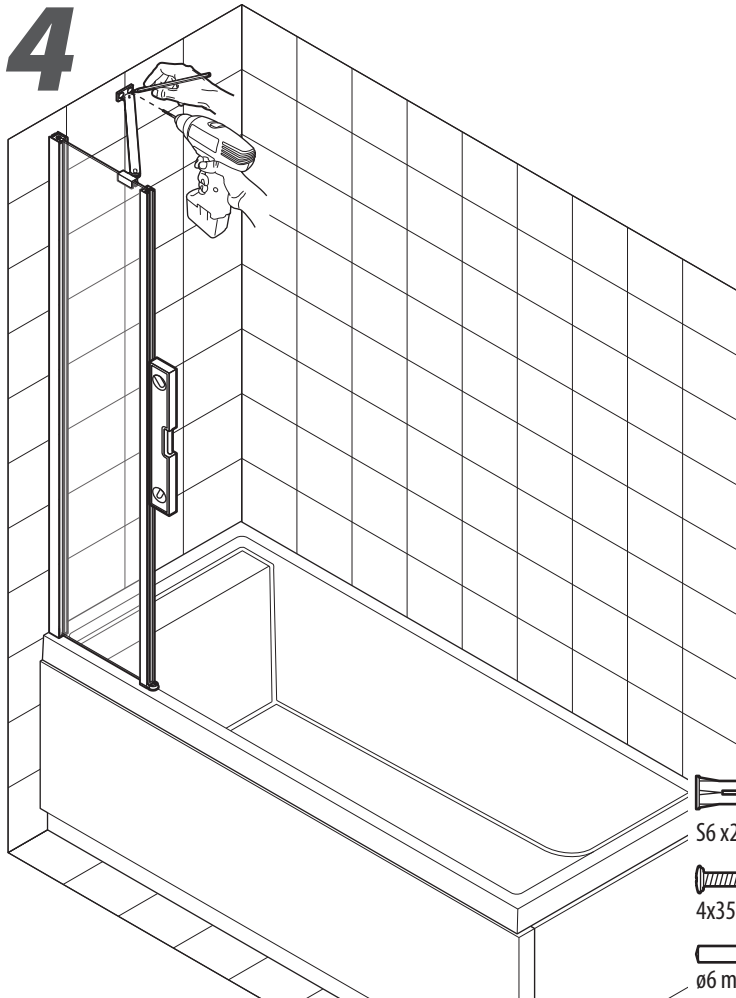
1°



2°

 3,5x32 x4

4



M5 x1



M5x8 x1



M5x10 x1



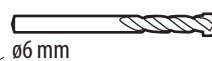
M5x16 x1



S6 x2

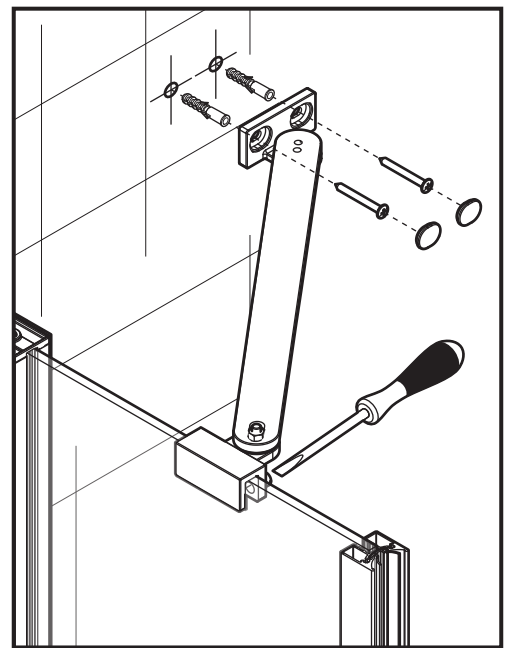
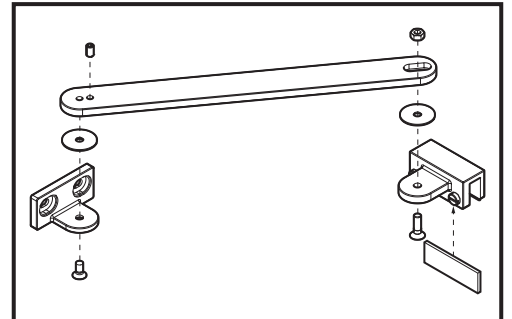


4x35 x2

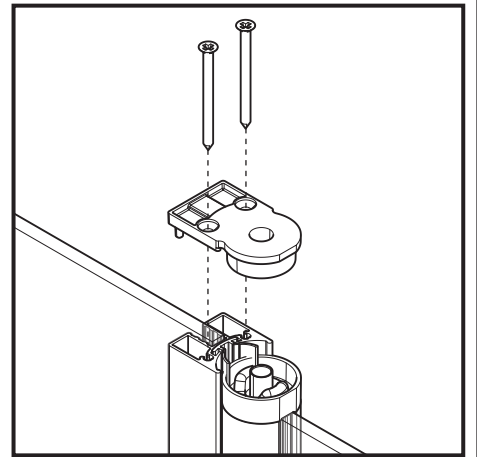
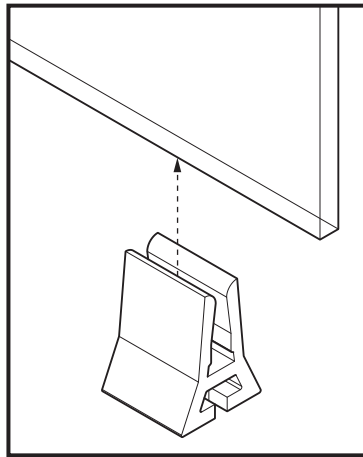
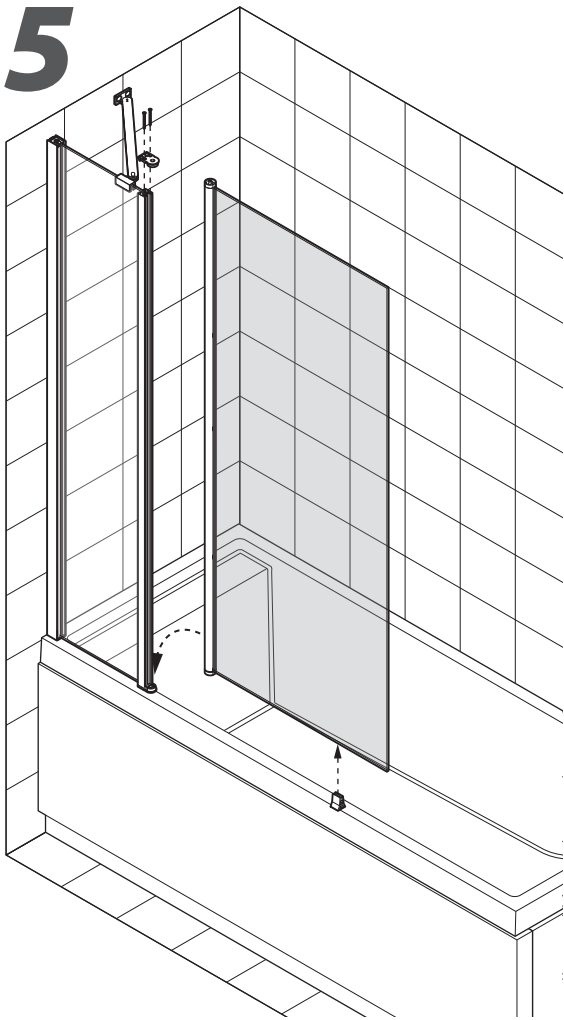


ø6 mm

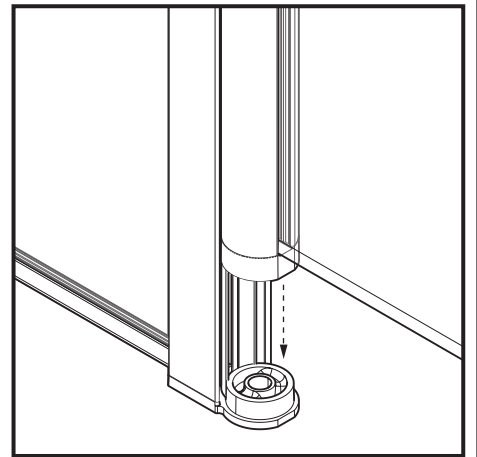
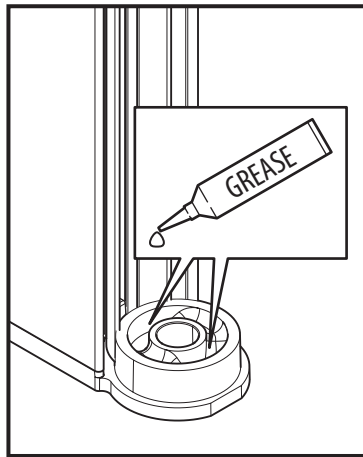
5



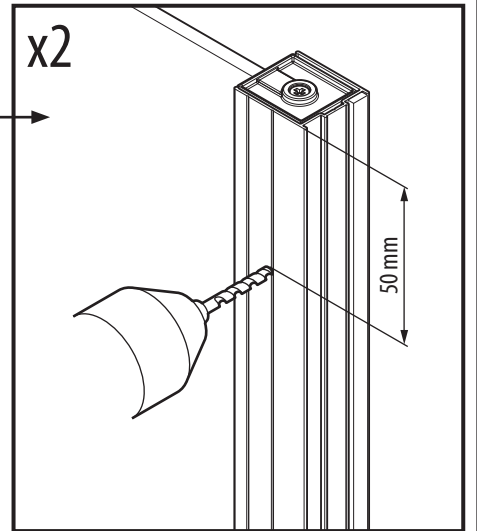
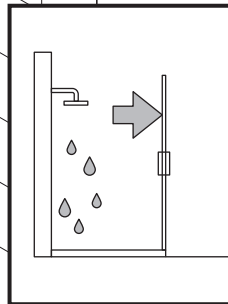
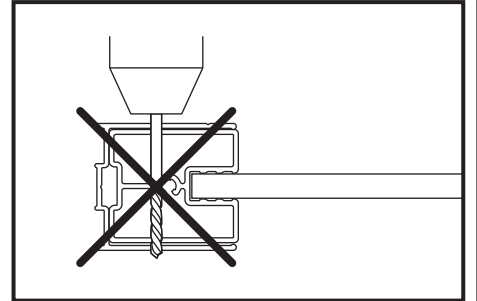
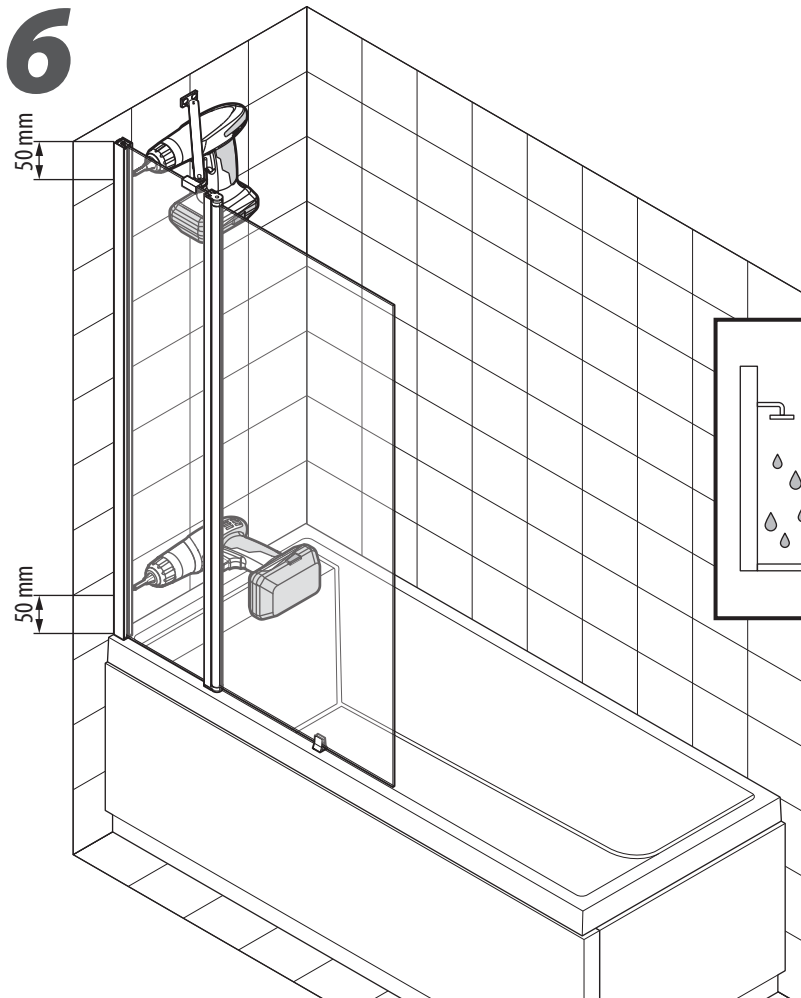
5



3,5x32 x2



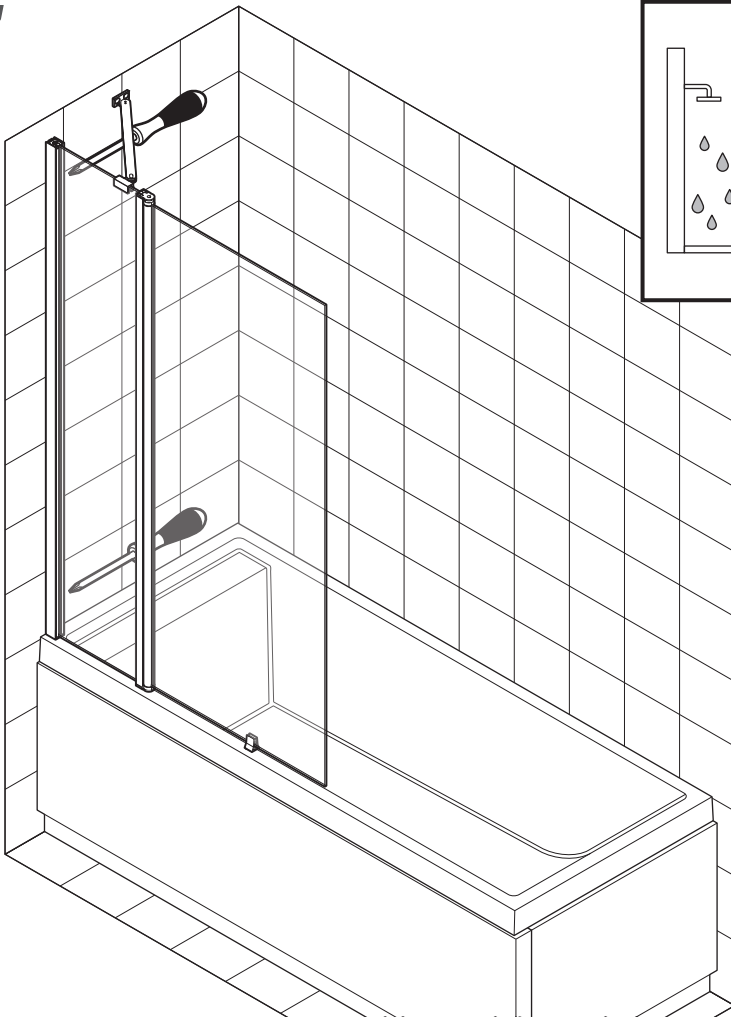
6



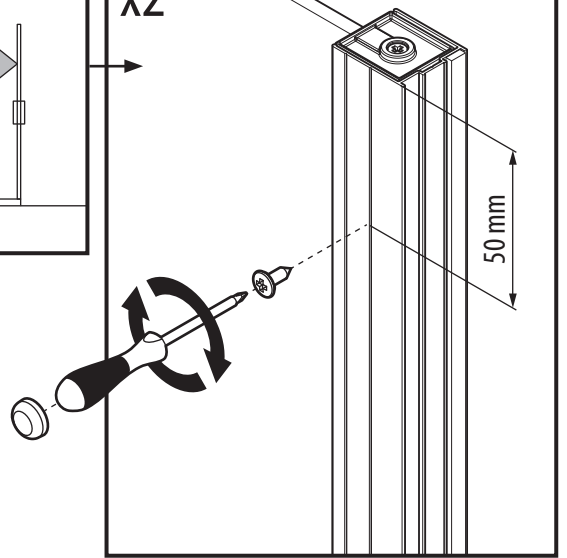
ø3 mm

6

7



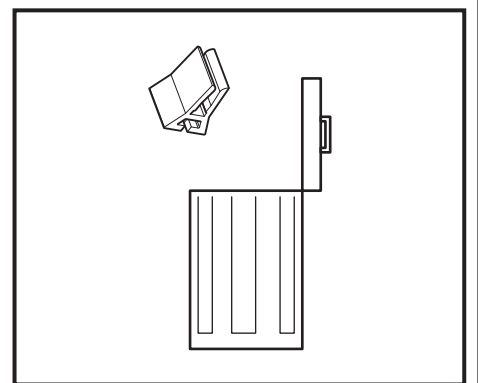
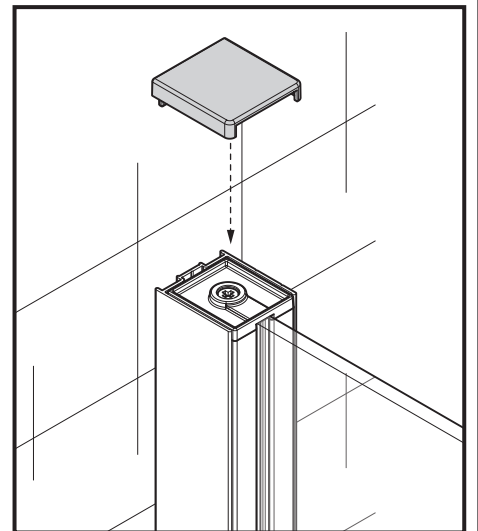
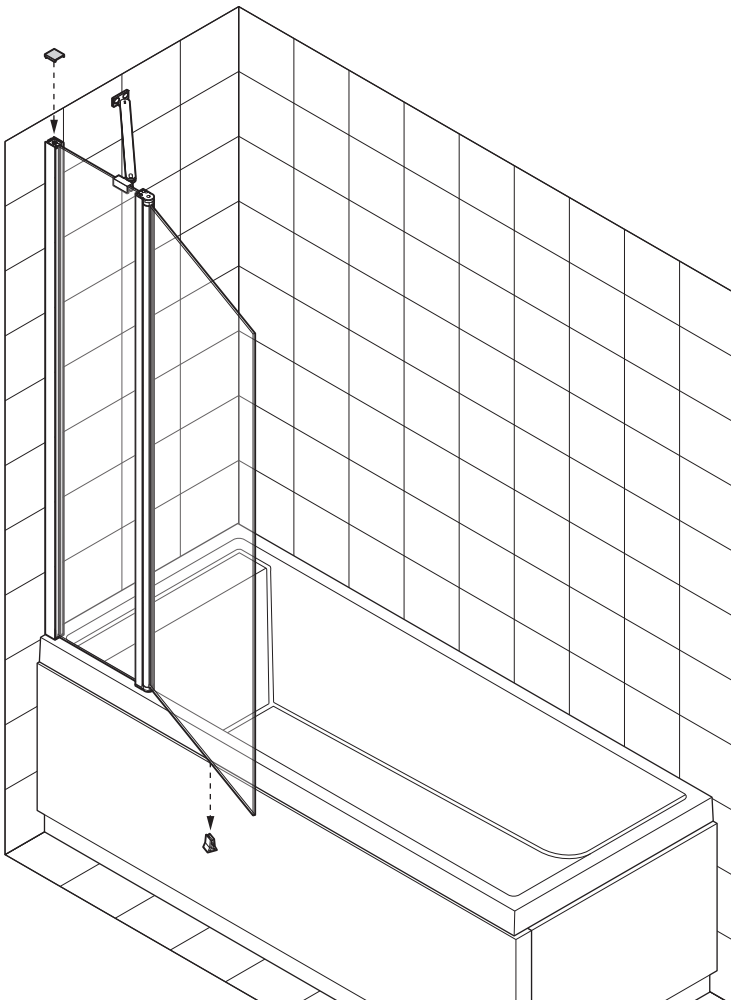
x2



3,5x9,5 mm x2

x2

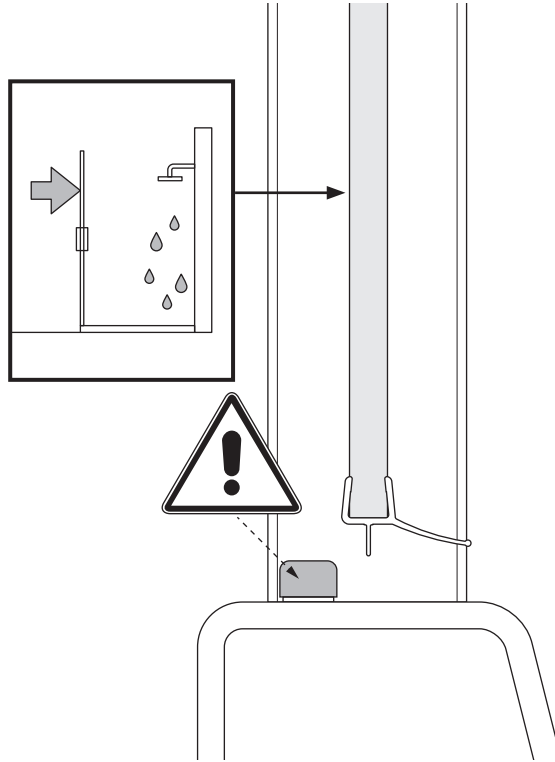
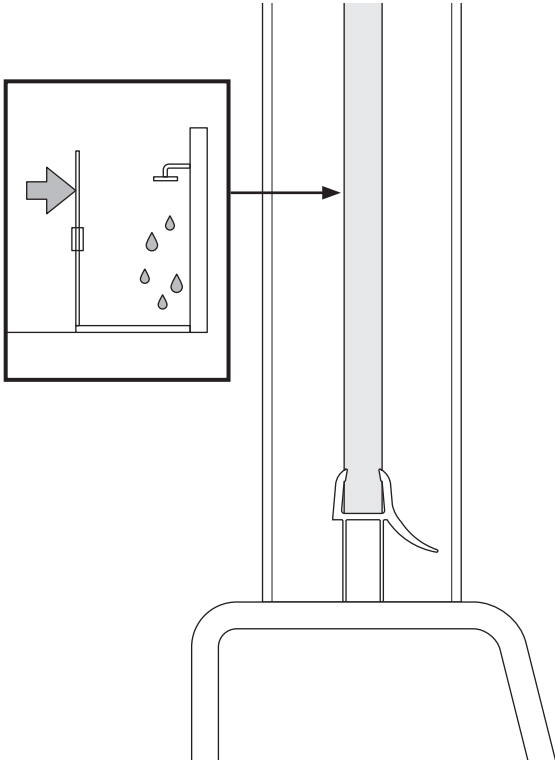
8



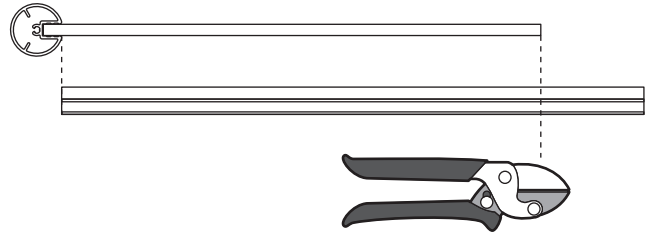
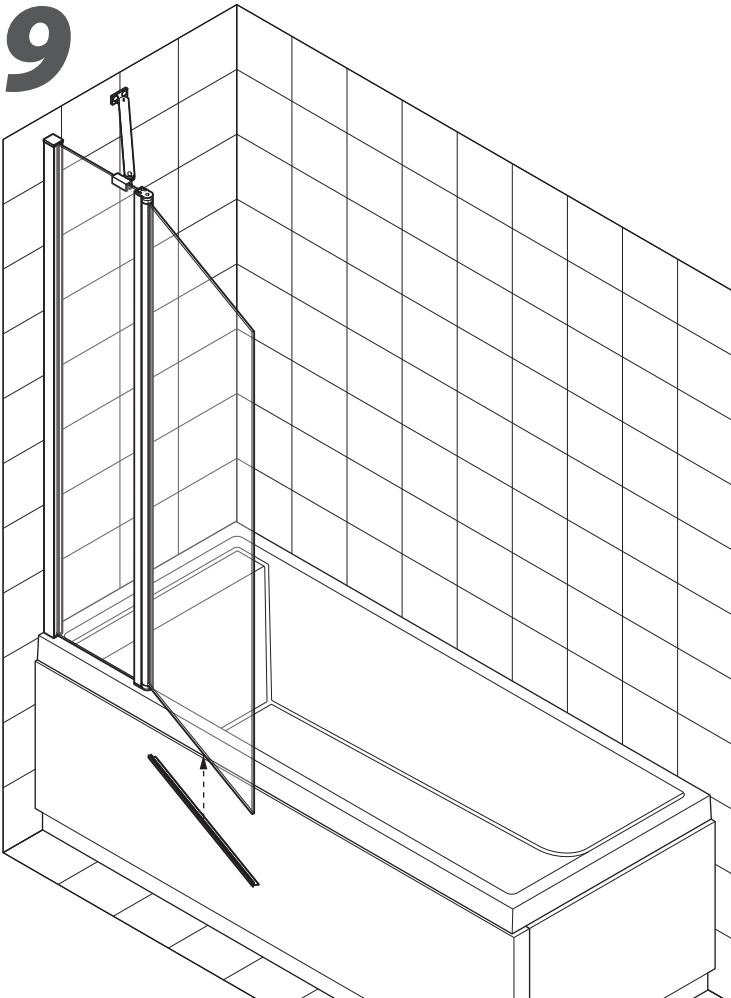
7

A

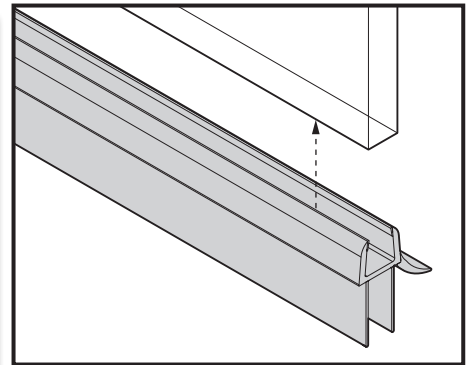
B



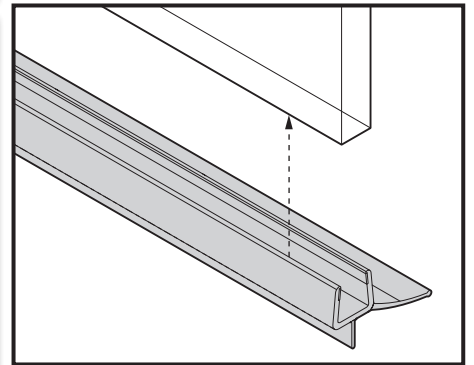
9



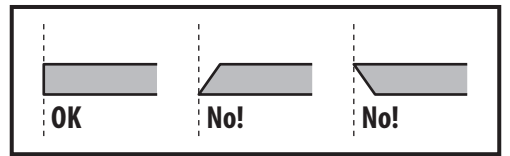
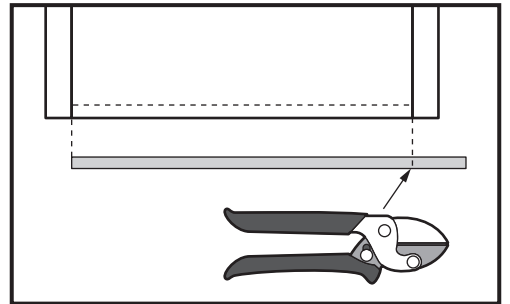
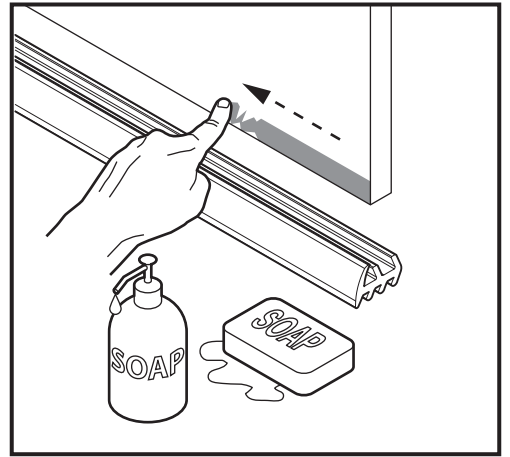
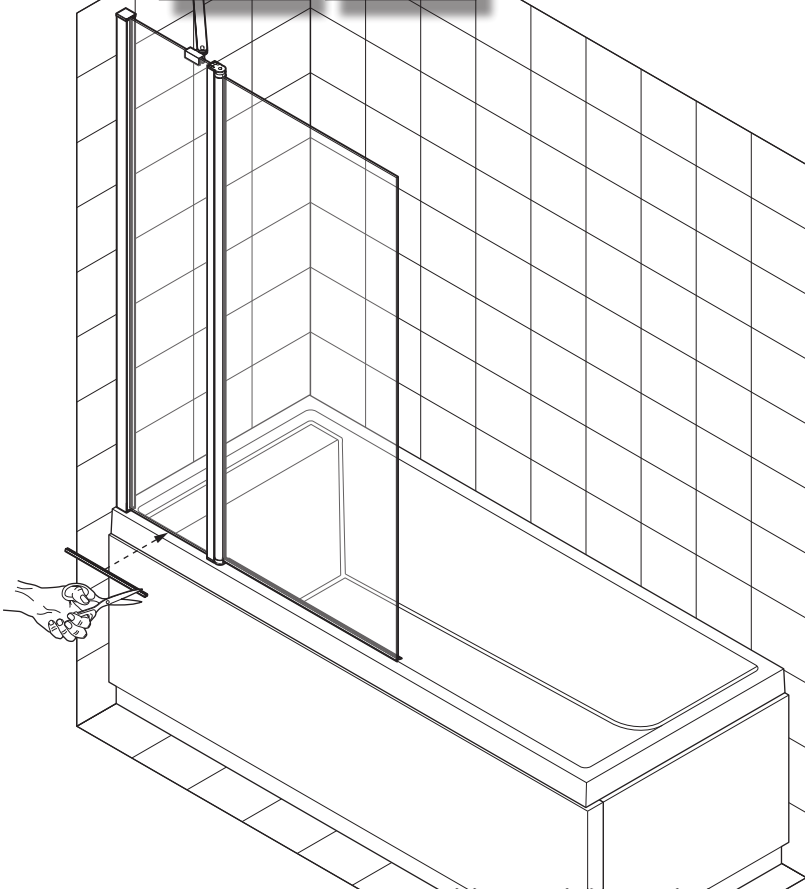
A



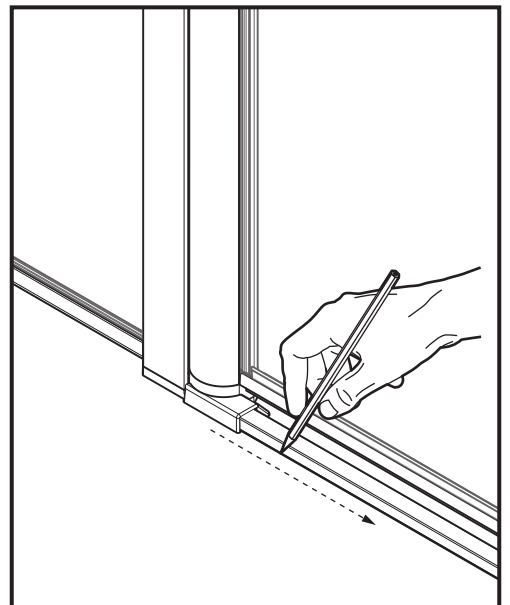
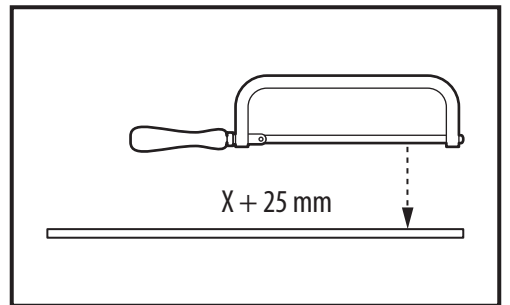
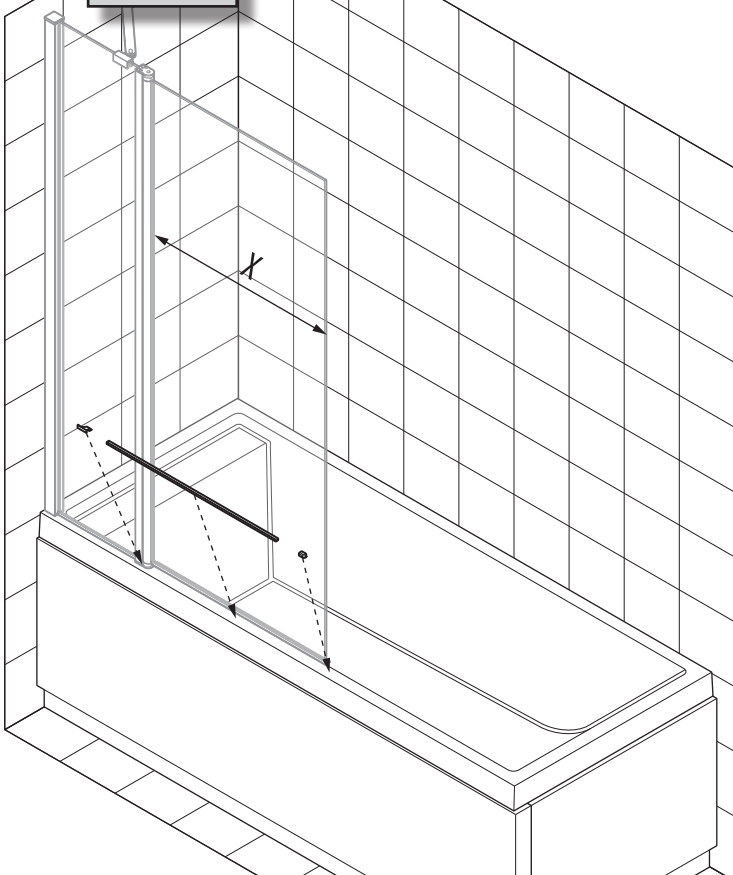
B



10 A B OPTIONAL

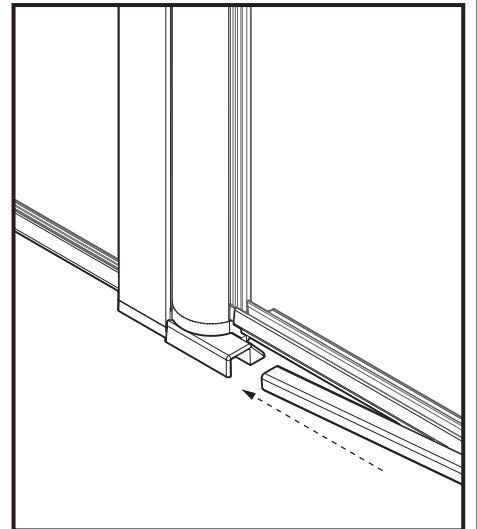
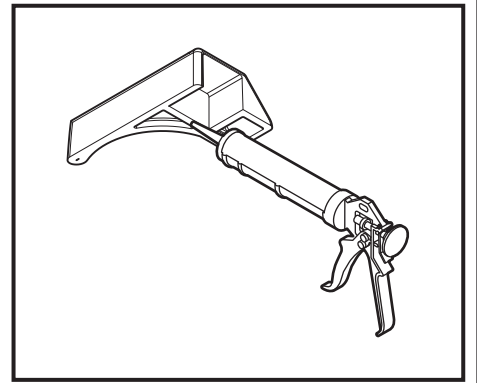
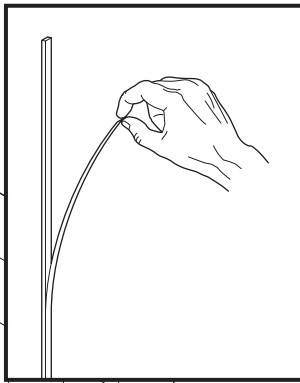
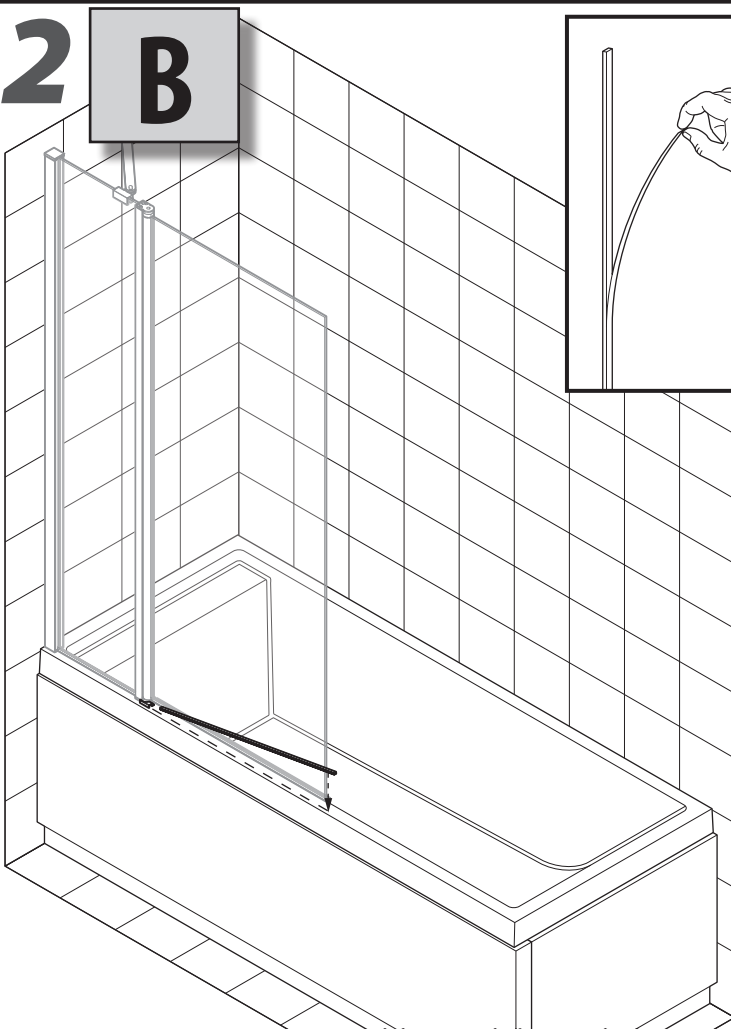


11 B



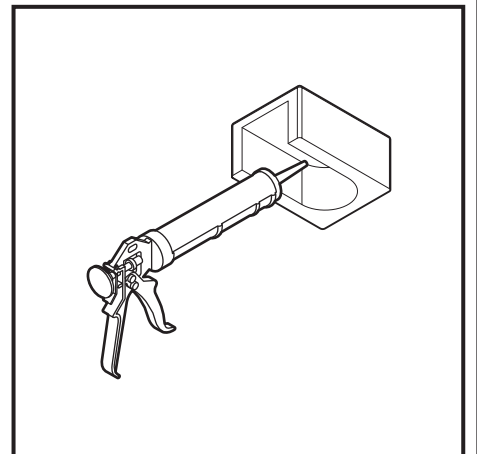
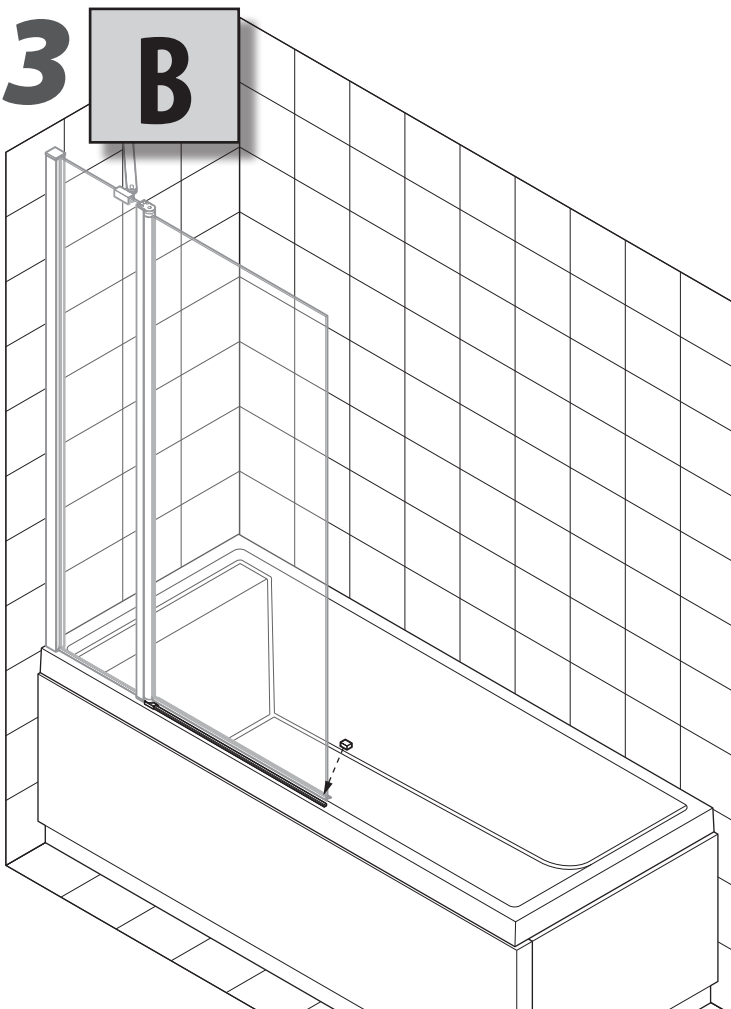
12

B

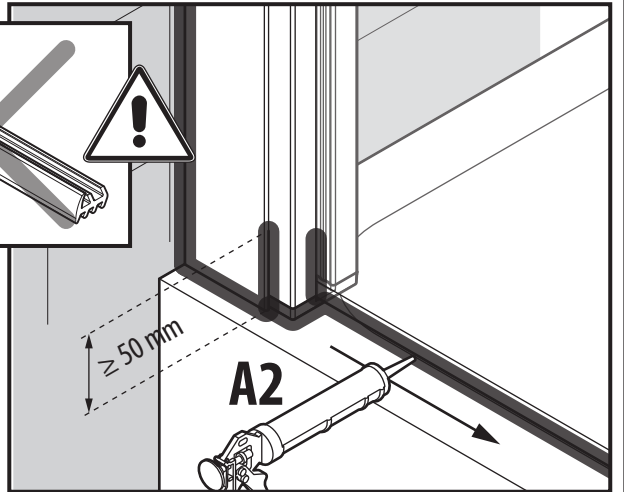
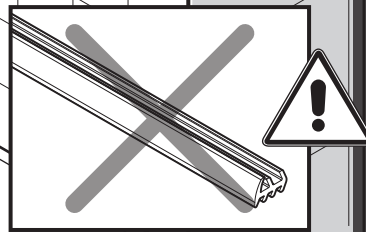
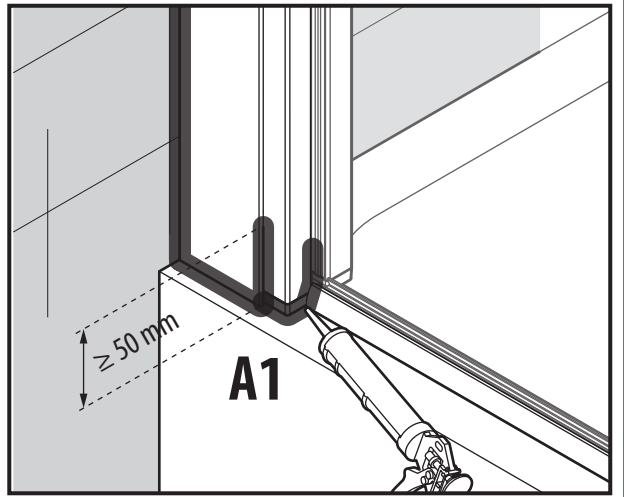
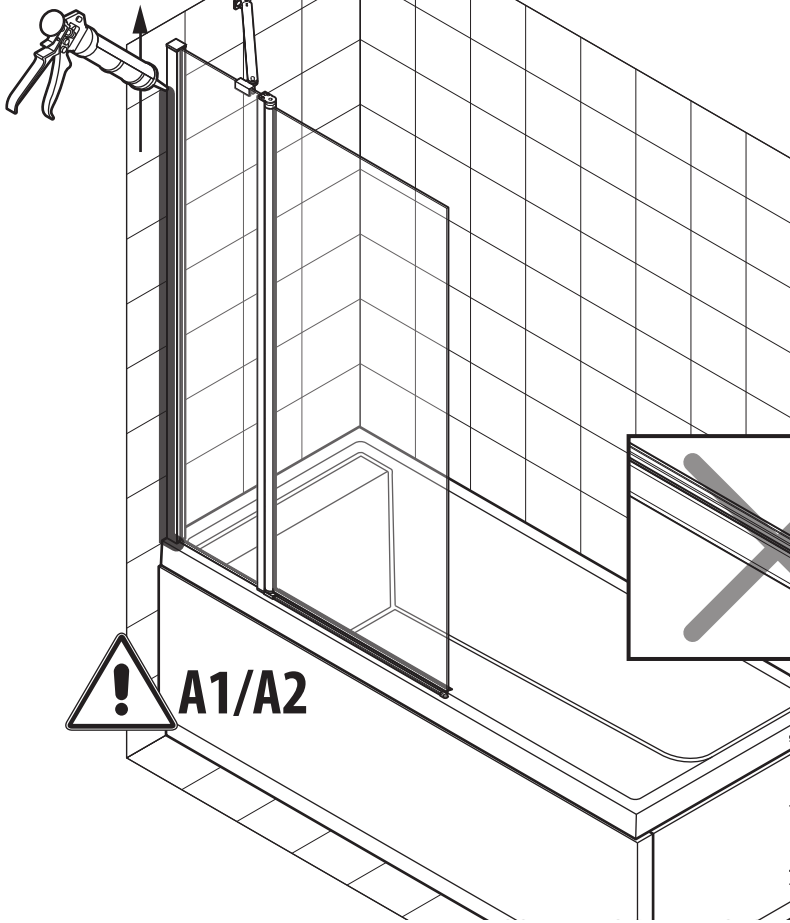


13

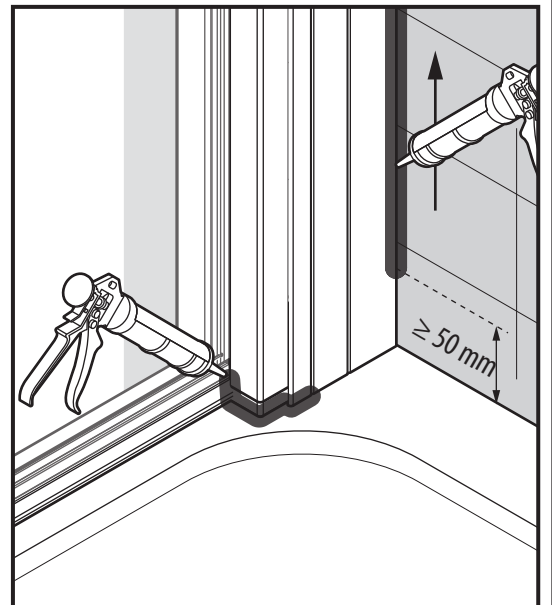
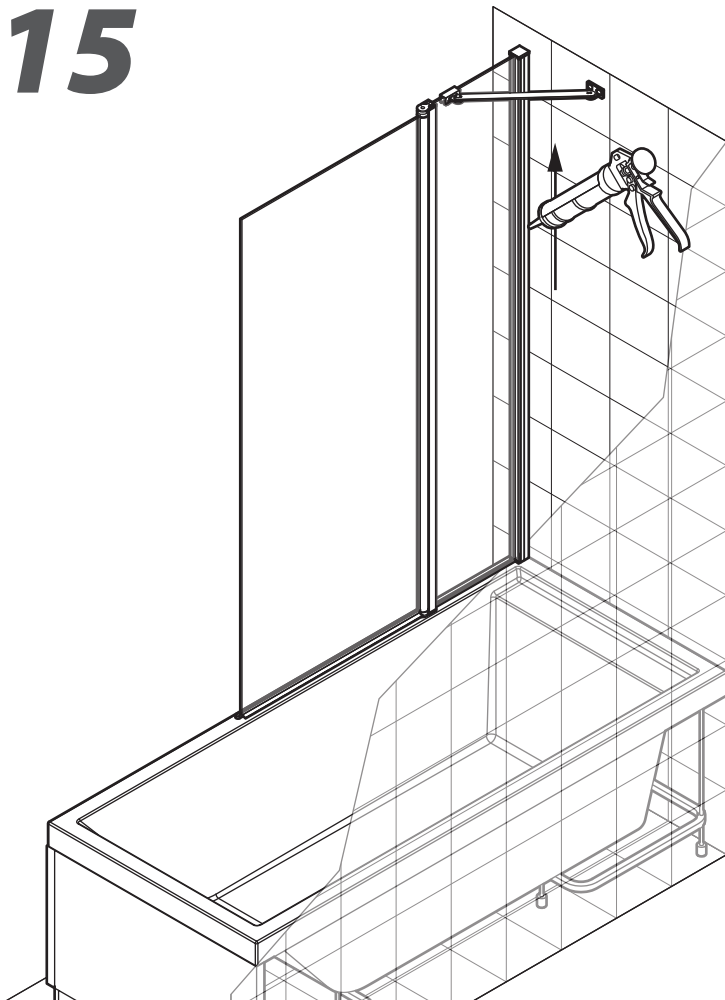
B



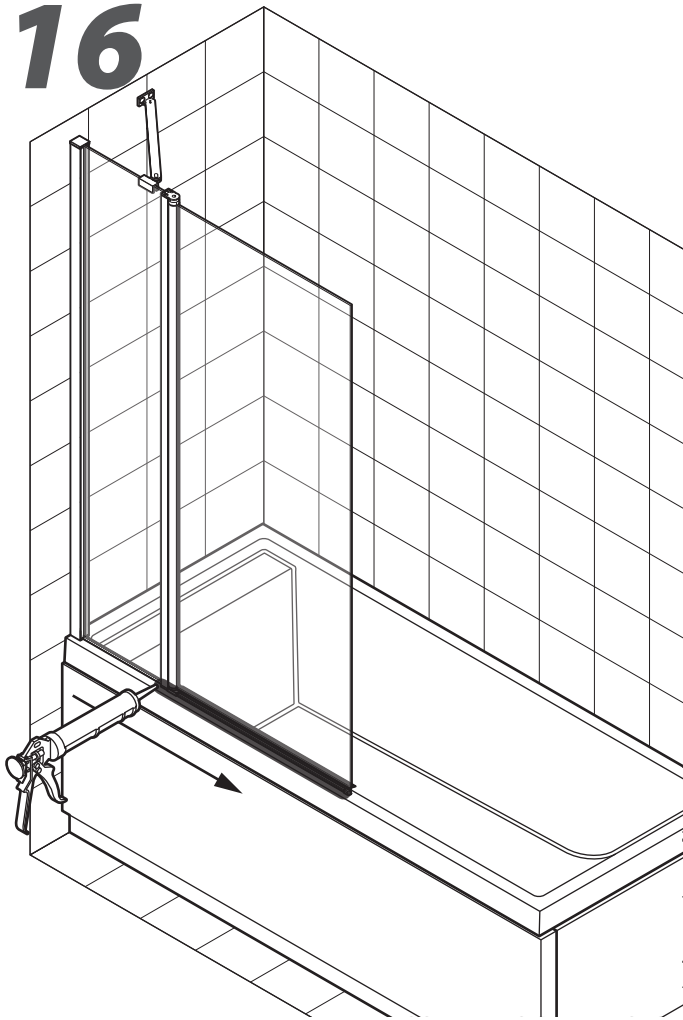
14



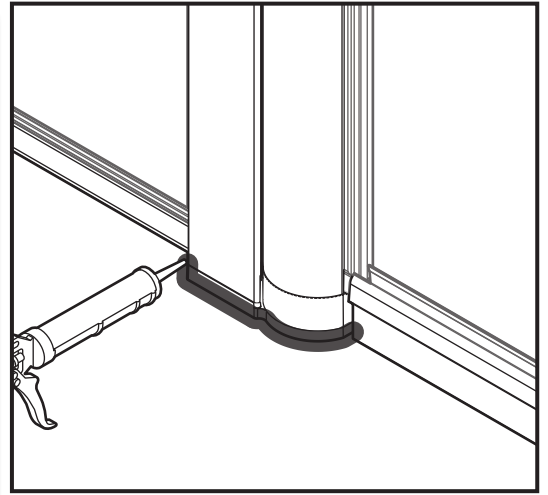
15



16



A



B

